

General Purpose Power Relays

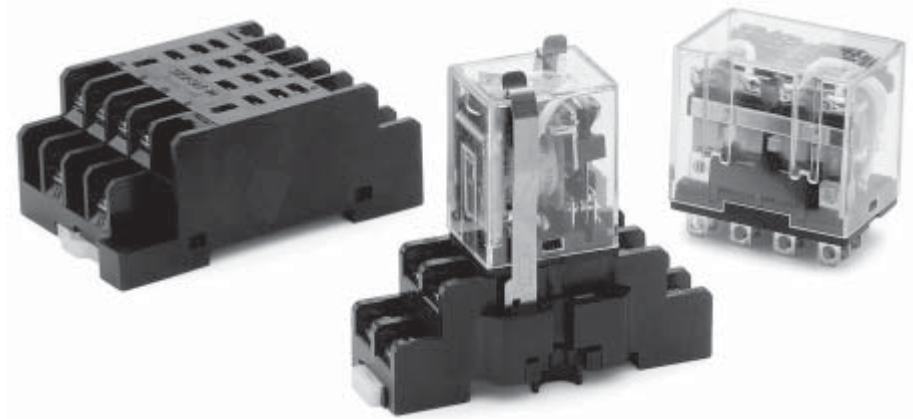
SZR-LY Series

FEATURES

- Small package design
- ARC barrier equipped
- Silver Cadmium Oxide contact
- High dielectric strength (1,800 Vac)
- High reliability and long life
- Ultra-high sensitivity with quick response time (25 ms max.)
- High vibration and shock resistance
- Options include LED indicator, diode protection, and LED indicator/diode protection
- UL recognized, CE certified, submitted for CSA approval

TYPICAL APPLICATIONS

- Control panels
- Elevator panels
- Machine tools
- Test equipment



DESCRIPTION

SZR-LY Series general-purpose power relays are designed for a wide range of applications including power as well as logic control for factory machines and control panels.

SZR-LY Series relays break 10 A loads and are ideal for control panels that require stable and reliable relays.

One standard and three options are available: LED indicator, internal surge protection diode, and LED indicator/diode protection. Honeywell's global sales and distribution channels ensure a rapid response and excellent customer support.

⚠ WARNING

MISUSE OF DOCUMENTATION

- The information presented in this product sheet for reference only. Do not use this document as product installation information.

Failure to comply with these instructions could result in death or serious injury.

⚠ WARNING

- DO NOT USE these products as safety or emergency stop devices, or in any other application where failure of the product could result in personal injury.


Failure to comply with these instructions could result in death or serious injury.

General Purpose

Power Relays

SZR-LY Series

SELECTION GUIDE • LY2 PRODUCT FAMILY


													
		SZR-LY2-1-AC110-120V	SZR-LY2-1-AC220V	SZR-LY2-1-DC12V	SZR-LY2-1-DC24V	SZR-LY2-1P-AC110-120V	SZR-LY2-1P-DC24V	SZR-LY2-N1-AC110-120V	SZR-LY2-N1-AC220V	SZR-LY2-N1-DC12V	SZR-LY2-N1-DC24V	SZR-LY2-D1-DC24V	SZR-LY2-X1-DC24V
Contact Specifications	Current Rating	10 A											
	Contact	DPDT											
	Terminal Type	Solder/Plug-In				PCB Type		Solder/Plug-In					
	Resistive Load	110 V, 10 A		24 V, 10 A		110 V, 10 A	24 V, 10 A	110 V, 10 A		24 V, 10 A			
	Inductive Load	110 V, 7.5 A		24 V, 5 A		110 V, 7.5 A	24 V, 5 A	110 V, 7.5 A		24 V, 5 A			
	Max. Switching (Res. Load)	1,100 VA		240 W		1,100 VA	240 W	1,100 VA		240 W			
	Max. Switching (Ind. Load)	825 VA		120 W		825 VA	120 W	825 VA		120 W			
	Max. Contact Rating	250 Vac		125 Vdc		250 Vac	125 Vdc	250 Vac		125 Vdc			
	Options	Standard – No Indicator or Diode						LED Indicator				Diode Protection	LED Indicator/Diode Protection
Coil Specifications	Coil Input Voltage	110/120 Vac	220 Vac	12 Vdc	24 Vdc	110/120 Vac	24 Vdc	110/120 Vac	220 Vac	12 Vdc	24 Vdc		
	Rated Current (mA) at 50 Hz	9.9/10.8	6.2/6.8	75	36.9	9.9/10.8	36.9	9.9/10.8	6.2/6.8	75	36.9		
	Rated Current (mA) at 60 Hz	8.4/9.2	5.3/5.8	75	36.9	8.4/9.2	36.9	8.4/9.2	5.3/5.8	75	36.9		
	Coil Resistance (Ω)	4,430	12,950	160	650	4,430	650	4,430	12,950	160	650		
	Power Consumption (W) at 60 Hz	0.9 W to 1.1 W		0.9 W		0.9 W to 1.1 W	0.9 W	0.9 W to 1.1 W		0.9 W			
	Dropout Voltage (V) (% of rated voltage)	Min. 30%		Min. 10%		Min. 30%	Min. 10%	Min. 30%		Min. 10%			
	Pick-Up Voltage (V) (Must operate voltage)	Max. 80% of the rated coil voltage											
	Max. Voltage (V) (Max. continuous voltage)	110% of the rated coil voltage											
	Min. Operating Voltage (V)	80% of the rated coil voltage											
	Operate Time	25 ms max.											
Release Time	25 ms max.												
Ambient Temperature	-25 °C to 70 °C [-13 °F to 158 °F]												
Ambient Humidity	45% RH to 85% RH												
Contact Material	Silver Cadmium Oxide												
Contact Resistance	50 mΩ max.												
Operating Frequency	18,000 operations/hour (Mechanical); 1,800 operations/hour (Electrical)												
Vibration Resistance	10 Hz to 55 Hz at double amplitude of 1,0 mm												
Shock Resistance	1,000 m/s ² (approx. 100 g)												
Weight	35 g [1.24 oz.]												
Agency Approvals and Standards	UL Recognized (#E150950), CE Certified (9667186-9811), submitted for CSA Approval												

General Purpose

Power Relays

SZR-LY Series

SELECTION GUIDE • LY4 PRODUCT FAMILY

		SZR-LY4-1-AC110-120V	SZR-LY4-1-AC220V	SZR-LY4-1-DC12V	SZR-LY4-1-DC24V	SZR-LY4-1P-AC110-120V	SZR-LY4-1P-AC220-240V*	SZR-LY4-1P-DC24V	SZR-LY4-N1-AC110-120V	SZR-LY4-N1-AC220V	SZR-LY4-N1-DC12V	SZR-LY4-N1-DC24V	SZR-LY4-D1-DC24V	SZR-LY4-X1-DC24V	
Contact Specifications	Current Rating	10 A													
	Contact	4PDT													
	Terminal Type	Solder/Plug-In				PCB Type				Solder/Plug-In					
	Resistive Load	110 V, 10 A		24 V, 10 A		110 V, 10 A		24 V, 10 A		110 V, 10 A		24 V, 10 A			
	Inductive Load	110 V, 7.5 A		24 V, 5 A		110 V, 7.5 A		24 V, 5 A		110 V, 7.5 A		24 V, 5 A			
	Max. Switching (Res. Load)	1,100 VA		240 W		1,100 VA		240 W		1,100 VA		240 W			
	Max. Switching (Ind. Load)	825 VA		120 W		825 VA		120 W		825 VA		120 W			
	Max. Contact Rating	250 Vac		125 Vdc		250 Vac		125 Vdc		250 Vac		125 Vdc			
Coil Specifications	Options	Standard – No Indicator or Diode							LED Indicator			Diode Protection	LED Indicator/Diode Protection		
	Coil Input Voltage	110/120 Vac	220 Vac	12 Vdc	24 Vdc	110/120 Vac	220/240 Vac	24 Vdc	110/120 Vac	220 Vac	12 Vdc	24 Vdc			
	Rated Current (mA) at 50 Hz	17/19	11.5/13.1	120	69	17/19	9.5/11	69	17/19	11.5/13.1	120	69			
	Rated Current (mA) at 60 Hz	18/16.4	9.8/11.2	120	69	18/16.4	8.2/9.5	69	18/16.4	9.8/11.2	120	69			
	Coil Resistance (Ω)	2,200	6,700	100	3650	2,200	9,000	350	2,200	6,700	100	350			
	Power Consumption (W) at 60 Hz	1.95 W to 2.5 W		1.5 W		0.9 W to 1.1 W		0.9 W	0.9 W to 1.1 W		0.9 W				
	Dropout Voltage (V) (% of rated voltage)	Min. 30%		Min. 10%		Min. 30%		Min. 10%	Min. 30%		Min. 10%				
	Pick-Up Voltage (V) (Must operate voltage)	Max. 80% of the rated coil voltage													
	Max. Voltage (V) (Max. continuous voltage)	110% of the rated coil voltage													
	Min. Operating Voltage (V)	80% of the rated coil voltage													
	General Specifications	Operate Time	25 ms max.												
		Release Time	25 ms max.												
Ambient Temperature		-25 °C to 75 °C [-13 °F to 167 °F]													
Ambient Humidity		45% RH to 85% RH													
Contact Material		Silver Cadmium Oxide													
Contact Resistance		50 mΩ max.													
Operating Frequency		18,000 operations/hour (Mechanical); 1,800 operations/hour (Electrical)													
Vibration Resistance		10 Hz to 55 Hz at double amplitude of 1.0 mm													
Shock Resistance		1,000 m/s ² (approx. 100 g)													
Weight		35 g [1.24 oz.]													
Agency Approvals and Standards	UL Recognized (#E150950), CE Certified (9667186-9811), submitted for CSA Approval														





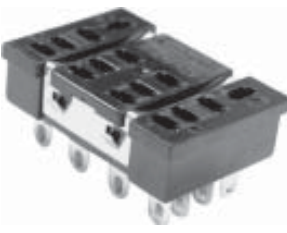

* Submitted for UL Approval

General Purpose

Power Relays

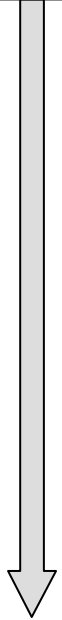
SZR-LY Series

SOCKETS – REQUIRED ACCESSORIES

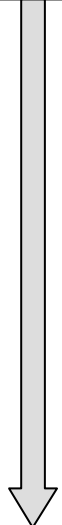
Relay Contact	Din-rail Mounting	Solder Terminal	PCB Terminal
DPDT For use with SZR-LY2-1, -N1, -D1, -X1	 SZX-SLF-08N	 SZX-SLB-08	 SZX-SLB-08P
4PDT For use with SZR-LY4-1, -N1, -D1, -X1	 SZX-SLF-14	 SZX-SLB-14	 SZX-SLB-14P

CATALOG LISTING MATRIX

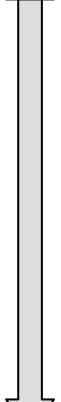
SZR - LY 2 - 1 P - AC110-120V



Amp Rating:
 MY = 5 A or 3 A
 LY = 10 A



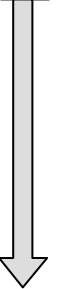
Poles
 2 = DPDT
 4 = 4PDT



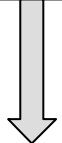
Option Type
 — = No Indicator or Diode
 D = Internal Surge Protection Diode
 N = Red LED Operation Indicator
 X = LED and Diode



Mounting Type
 1 = Terminal



Terminal Type
 — = Solder/Plug-in
 P = PCB



Voltage Rating:
 AC6V = 6 Vac
 AC12V = 12 Vac
 AC24V = 24 Vac
 AC50V = 50 Vac
 AC100V = 100 Vac
 AC110-120V = 110/120 Vac
 AC200V = 200 Vac
 AC220V = 220 Vac
 AC220-240V = 220/240 Vac *
 DC6V = 6 Vdc
 DC12V = 12 Vdc
 DC24V = 24 Vdc
 DC48V = 48 Vdc
 DC100V = 100 Vdc

240 Vac - Submitted for UL approval

General Purpose

Power Relays

SZR-LY Series

HOLDING CLIPS

- Holding clips are included with the sockets
- Holding clips for the SLF-08N cannot be removed once inserted.
- The holding clip for the SLF-14 can be removed by pushing the side of the inserting hole with a sharp object.
- Holding clips for all SLB sockets are wire for easy removal

DIMENSIONS (For reference only - mm/in)

Figure 1. Dimensions
For SZX-SLF-14
Holding Clip

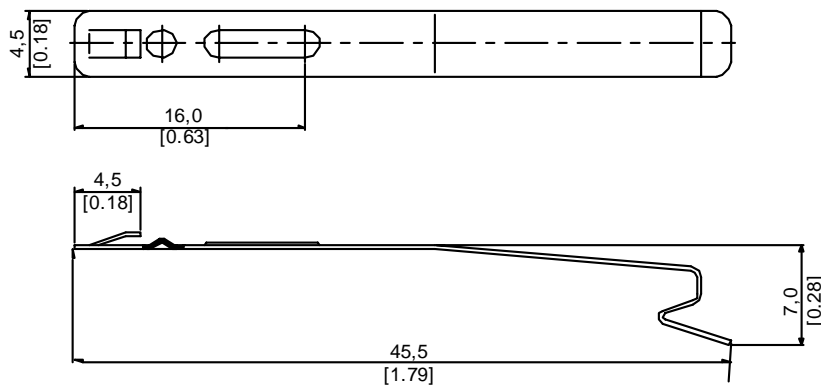


Figure 2. Dimensions
For SZX-SLF-08N
Socket

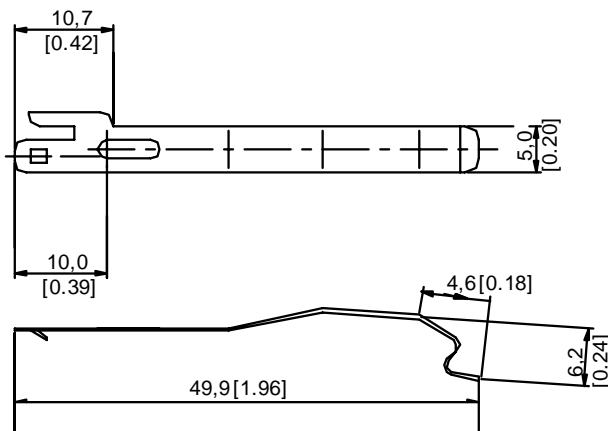
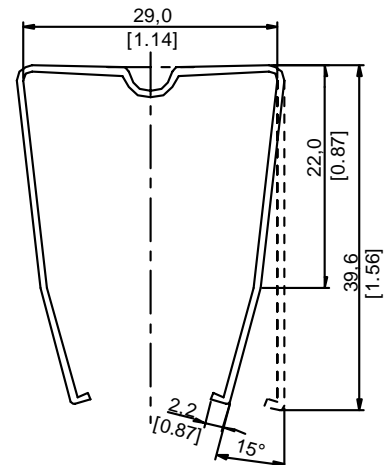
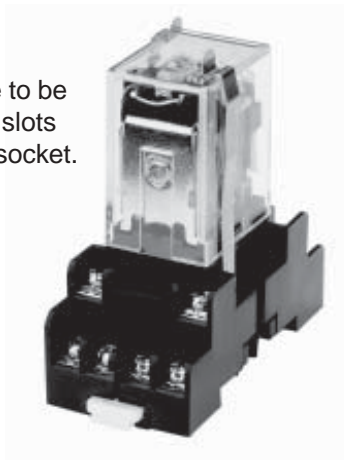


Figure 3. Dimensions
For all SZX-SLB sockets



Holding clips are to be inserted into the slots provided on the socket.



General Purpose

Power Relays

SZR-LY Series

MOUNTING DIMENSIONS (For reference only - mm/in)

Figure 4. SZR-LY2 Dimensions

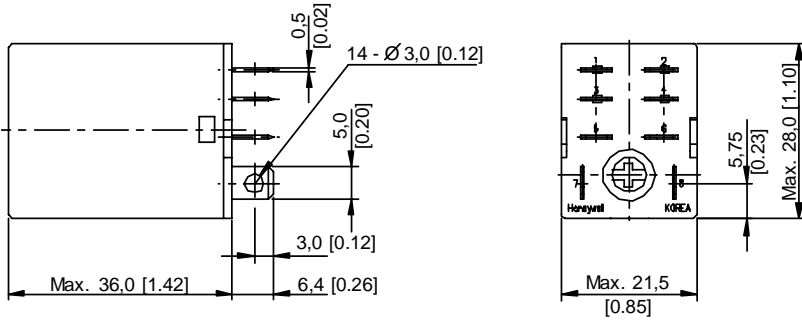


Figure 5. SZR-LY4 Dimensions

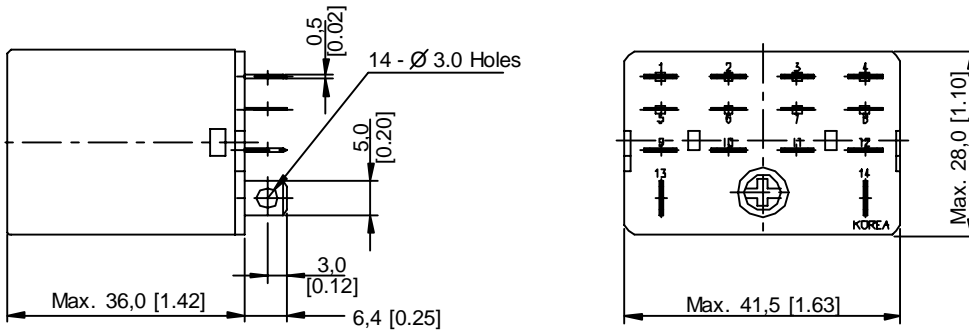


Figure 6. SZR-LY2-1P Dimensions

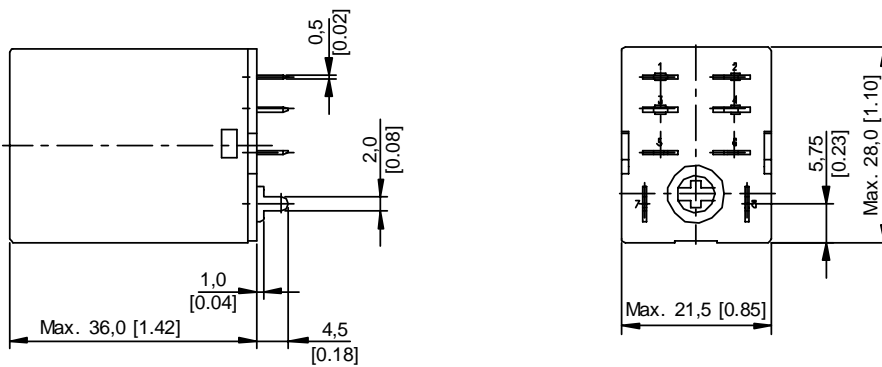
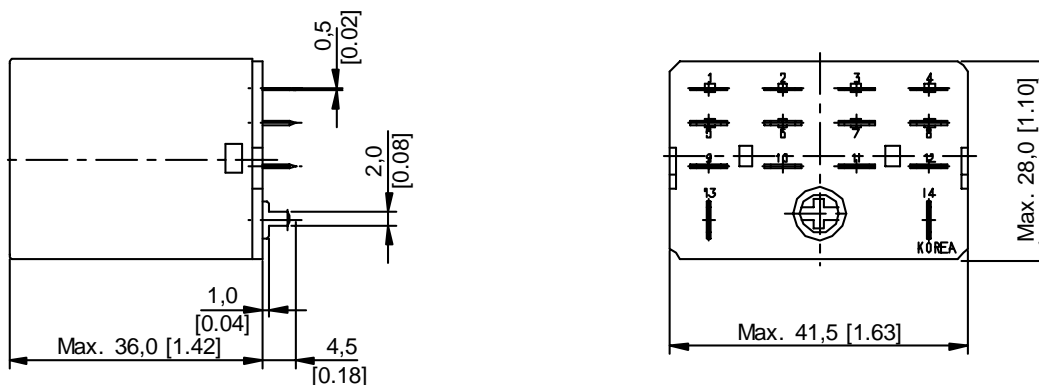


Figure 7. SZR-LY4-1P Dimensions



General Purpose

Power Relays

SZX-LY Series

SOCKETS – REQUIRED ACCESSORIES (For reference only - mm/in)

Figure 8. SZX-SLF-08N Dimensions

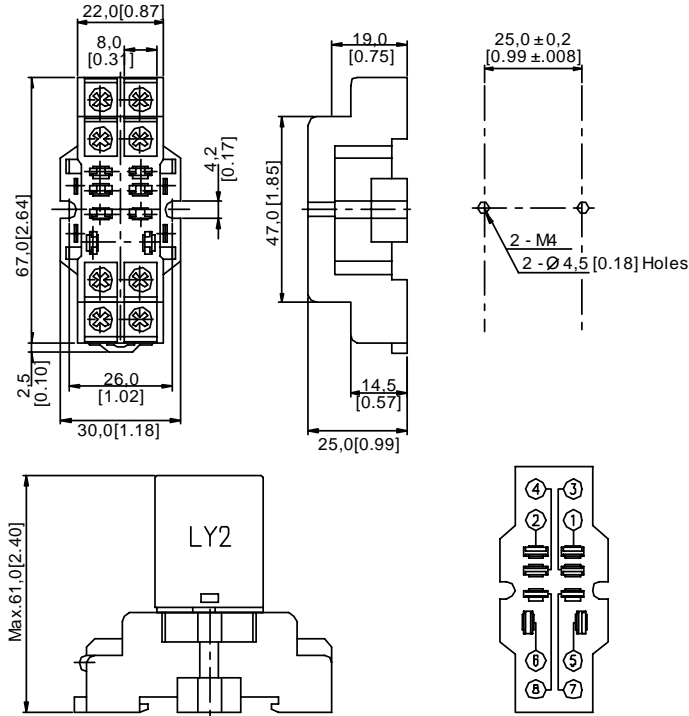


Figure 9. SZX-SLB-08 Dimensions

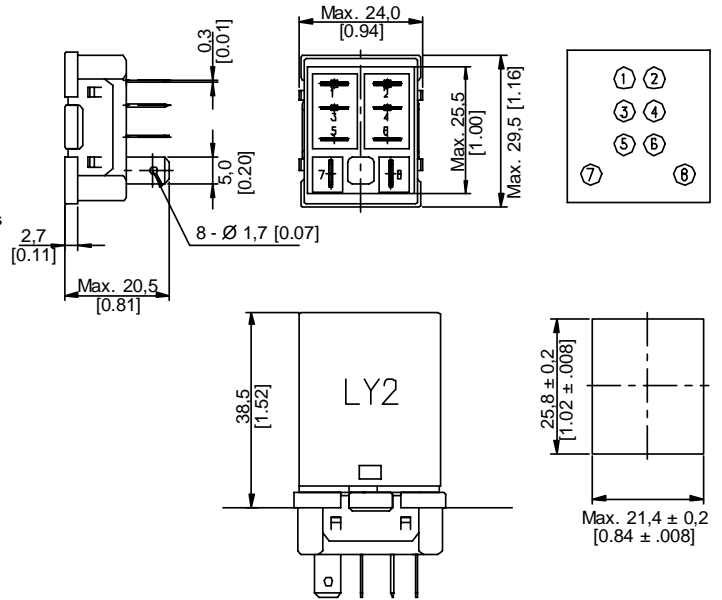


Figure 10. SZX-SLF-14 Dimensions

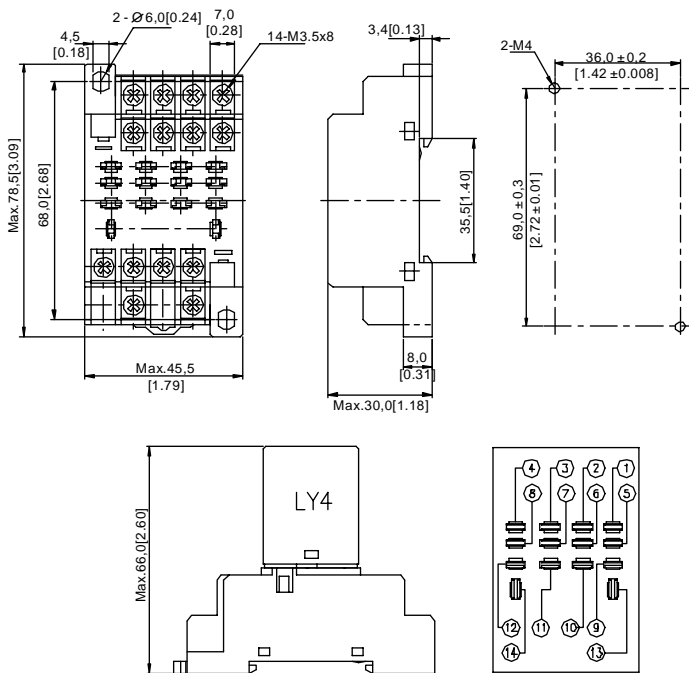
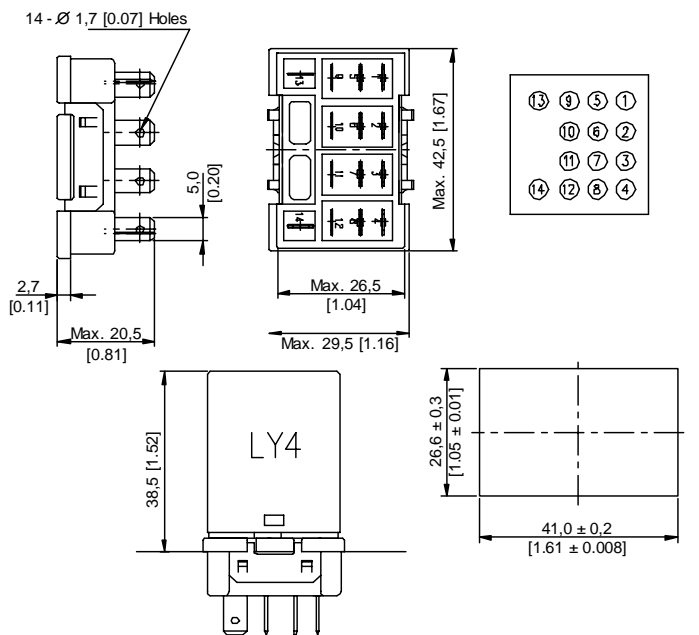


Figure 11. SZX-SLB-14 Dimensions



General Purpose Power Relays

SZR-LY Series

SOCKETS - REQUIRED ACCESSORIES (For reference only - mm/in)

Figure 12. SZX-SLB-08P Dimensions

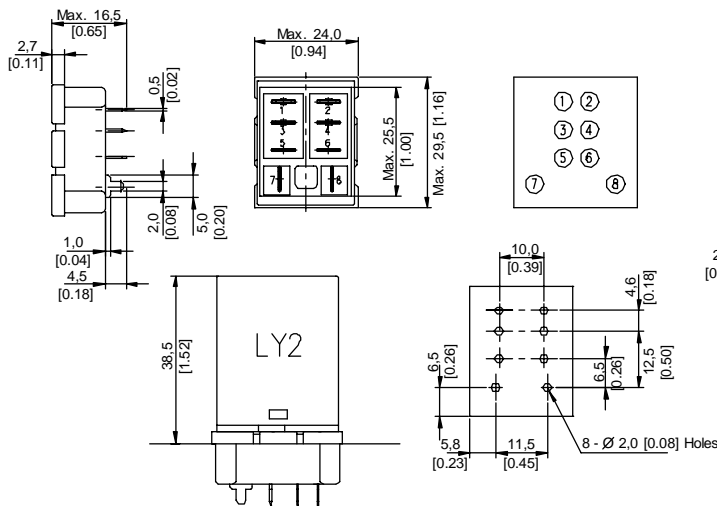
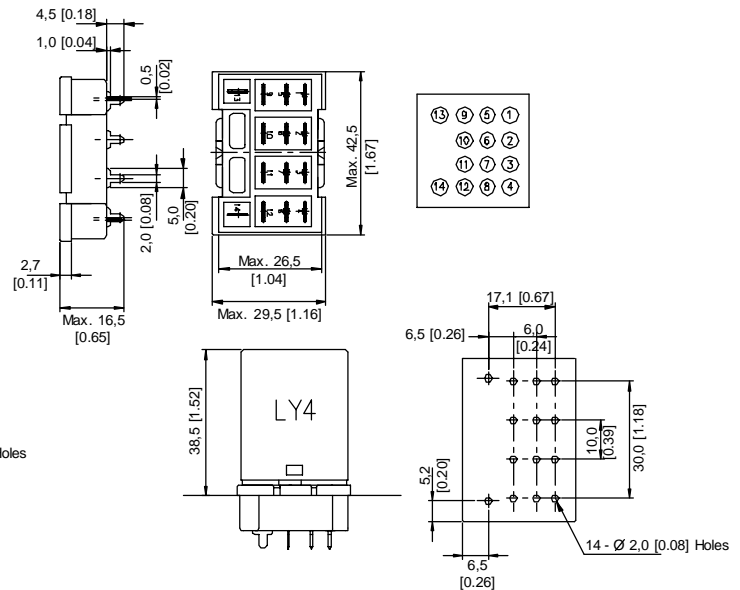


Figure 13. SZX-SLB-14P Dimensions



WARRANTY/REMEDY

Honeywell warrants goods of its manufacture as being free of defective materials and faulty workmanship. Contact your local sales office for warranty information. If warranted goods are returned to Honeywell during the period of coverage, Honeywell will repair or replace without charge those items it finds defective. The foregoing is Buyer's sole remedy and is in lieu of all other warranties, expressed or implied, including those of merchantability and fitness for a particular purpose.

Specifications may change without notice. The information we supply is believed to be accurate and reliable as of this printing. However, we assume no responsibility for its use.

While we provide application assistance personally, through our literature and the Honeywell web site, it is up to the customer to determine the suitability of the product in the application.

For application assistance, current specifications, or name of the nearest Authorized Distributor, check the Honeywell web site or call:

1-800-537-6945	USA
1-800-737-3360	Canada
1-815-235-6847	International
+(49) 69 8064 444	Germany
+(44) 1698 481481	UK
+(33) 1 60 19 80 40	France
+(39) 02 92146 450/456	Italy
+(34) 91 313 6100	Spain
+(822) 799-6167	Korea/Asia Pacific
+(81) 3 5440 1425	Japan
+(86-10) 8458-3280	China - PRC - Beijing
+(852)2953-6412	China - Hong Kong S.A.R.

FAX

1-815-235-6545	USA
+(822) 792 9013	Korea/Asia Pacific

INTERNET

www.honeywell.com/sensing
info.sc@honeywell.com

This publication does not constitute a contract between Honeywell and its customers. The contents may be changed at any time without notice. It is the customer's responsibility to ensure safe installation and operation of the products. Detailed mounting drawings of all products illustrated are available on request.

Control Products

Honeywell
11 West Spring Street
Freeport, Illinois 61032



Printed with Soy Ink on 50% Total Recycled Fiber,
15% Post Consumer

www.honeywell.com/sensing